

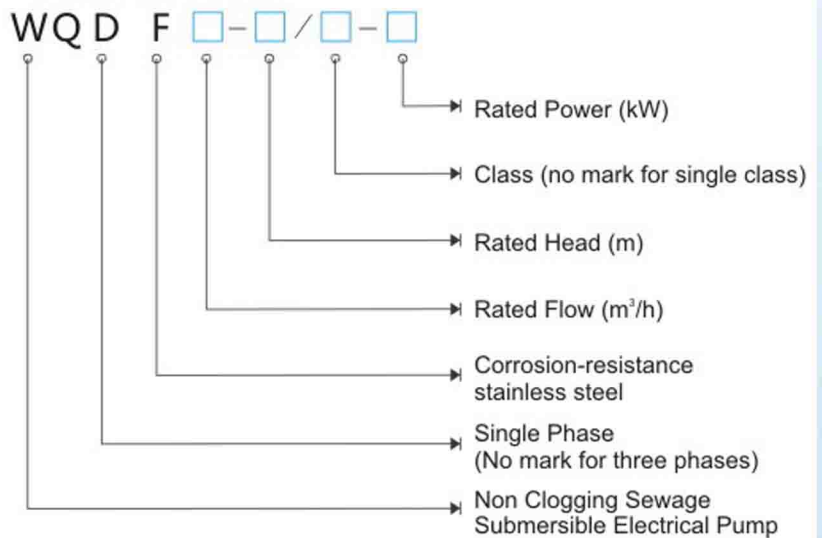
# ROTOR

## Full Head Non Clogging **Stainless Steel** Sewage Submersible Electrical Pump



Full Head Non Clogging Stainless Steel Sewage Submersible Electrical Pump

### Model Indication

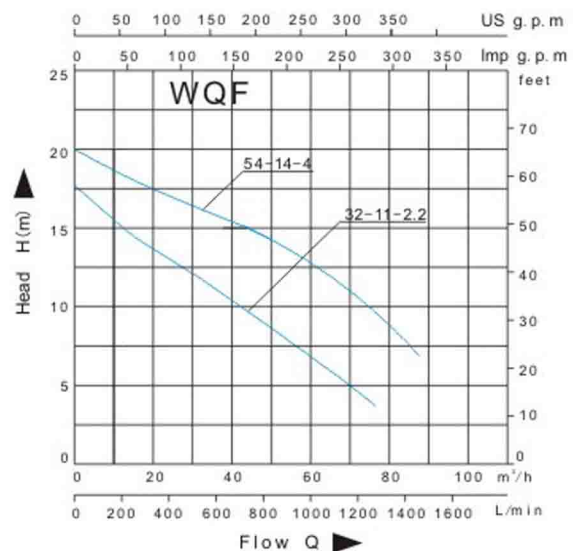


### Application

- It can be used as common full head non clogging sewage submersible electrical pump in the drainage and delivery of slurry in construction works, drainage of water in mining, and delivery of sewage and dirt.
- It can be used in the drainage and delivery of corrosive liquid.

### Features

- The full head stainless steel corrosion-resistance submersible electrical pump is coupled with the motor with the features of simple structure, easy moving, reliable lift and multi-function.
- It doesn't only own the feature of non clogging of single channel pump, but also offers a better balance between water force and centrifugal force. Therefore, it is more reliable.
- The parts contacting liquid in the pump are all made of stainless steel. Therefore, it offers the specific property of corrosion-resistance.



# ROTOR

## TECHNICAL PARAMETER



### WQDF/WQF Series of Full Head Non Clogging **Stainless Steel** Sewage Submersible Electrical Pump

No.	Model	Head		Flow		Rated Power			Speed r/min	Power kW	PipeΦ mm	Phase	N.Wt Kg
		Rated m	Range m	Rated m <sup>3</sup> /h	Max m <sup>3</sup> /h	Voltage v	Current A	Hz					
1	WQDF7-16-0.75	16	0-19	7	12	220	5.24	50	3000	0.75	40	1	25
2	WQF7-16-0.75	16	0-19	7	12	380/660	2.0/1.15	50	3000	0.75	40	3	25
3	WQF6-25-1.1	25	0-28	6	18	380/660	2.74/1.58	50	3000	1.1	40	3	30
4	WQF10-18-1.1	18	0-24	10	27	380/660	2.74/1.58	50	3000	1.1	40	3	30
5	WQF10-20-1.5	20	0-26	10	27	380/660	3.62/2.09	50	3000	1.5	50	3	30
6	WQF15-18-1.5	18	0-24	15	32	380/660	3.62/2.09	50	3000	1.5	50	3	30
7	WQF8-32-2.2	32	0-37	8	32	380/660	5.11/2.95	50	3000	2.2	50	3	36
8	WQF32-11-2.2	11	0-20	32	54	380/660	5.11/2.95	50	3000	2.2	80	3	38
9	WQF50-8-2.2	8	0-16	50	80	380/660	5.11/2.95	50	3000	2.2	80	3	38
10	WQF15-25-3	25	0-32	15	52	380/660	6.67/3.85	50	3000	3	50/65	3	36
11	WQF37-10-3	10	0-18	37	62	380/660	6.67/3.85	50	3000	3	80	3	42
12	WQF12-42-4	42	0-46	12	38	380/660	8.8/5.1	50	3000	4	50/65	3	57
13	WQF20-35-4	35	0-42	20	48	380/660	8.8/5.1	50	3000	4	50/65	3	57
14	WQF54-14-4	14	0-19	54	85	380/660	8.8/5.1	50	3000	4	100	3	57
15	WQF75-10-4	10	0-18	75	100	380/660	8.8/5.1	50	3000	4	100	3	57
16	WQF12-53-5.5	53	0-55	12	38	380/660	11.88/6.8	50	3000	5.5	50	3	75
17	WQF25-40-5.5	40	0-47	25	60	380/660	11.88/6.8	50	3000	5.5	80	3	75
18	WQF10-90/2-7.5	90	0-100	10	25	380/660	15.7/9.06	50	3000	7.5	50	3	88
19	WQF20-75/3-7.5	75	0-90	20	34	380/660	15.7/9.06	50	3000	7.5	50	3	88
20	WQF65-25-7.5	25	0-29	65	95	380/660	15.7/9.06	50	3000	7.5	100	3	75
21	WQF80-20-7.5	20	0-25	80	110	380/660	15.7/9.06	50	3000	7.5	100	3	75
22	WQF100-13-7.5	13	0-25	100	160	380/660	15.7/9.06	50	3000	7.5	100	3	90
23	WQF120-10-7.5	10	0-18	120	170	380/660	15.7/9.06	50	3000	7.5	100	3	90
24	WQF40-40-9.2	40	0-45	40	90	380/660	20.5/11.8	50	3000	9.2	80/100	3	100
25	WQF100-17-9.2	17	0-22	100	150	380/660	20.5/11.8	50	3000	9.2	100	3	100
26	WQF10-150/4-11	150	0-180	10	36	380/660	22.9/13.2	50	3000	7.5	50	3	110
27	WQF50-40-11	40	0-45	50	90	380/660	22.9/13.2	50	3000	11	80	3	100
28	WQF100-25-11	25	0-28	100	170	380/660	22.9/13.2	50	3000	11	100	3	100
29	WQF130-15-11	15	0-20	130	180	380/660	22.9/13.2	50	3000	11	100	3	100
30	WQF15-160/4-15	160	0-190	15	36	380/660	30.8/17.8	50	3000	15	80	3	150
31	WQF40-80/2-15	80	0-85	40	90	380/660	30.8/17.8	50	3000	15	80	3	150
32	WQF100-30-15	30	0-34	100	150	380/660	30.8/17.8	50	3000	15	100	3	140
33	WQF180-15-15	15	0-17	180	270	380/660	30.8/17.8	50	3000	15	150	3	140
34	WQF15-190/5-18.5	190	0-220	15	38	380/660	37.2/21.5	50	3000	18.5	80	3	160
35	WQF100-35-18.5	35	0-39	100	170	380/660	37.2/21.5	50	3000	18.5	150	3	160
36	WQF180-20-18.5	20	0-23	180	270	380/660	37.2/21.5	50	3000	18.5	150	3	160
37	WQF20-180/6-22	180	0-215	20	35	380/660	43.7/25.2	50	3000	22	80	3	170
38	WQF40-120/3-22	120	0-125	40	90	380/660	43.7/25.2	50	3000	22	80	3	170
39	WQF180-25-22	25	0-28	180	270	380/660	43.7/25.2	50	3000	22	150	3	180
40	WQF200-22-22	22	0-25	200	300	380/660	43.7/25.2	50	3000	22	150	3	180
41	WQF200-40-37	40	0-45	200	300	380/660	72.2/41.7	50	3000	37	200	3	300
42	WQF350-20-37	20	0-28	350	470	380/660	72.2/41.7	50	3000	37	200	3	300
43	WQF300-30-45	30	0-38	300	420	380/660	87/50.2	50	1500	45	200	3	400
44	WQF450-20-45	20	0-28	450	600	380/660	87/50.2	50	1500	45	200	3	400