

The vortex impeller resides out of volute. Therefore any solids that can enter the inlet is able to traverse the channel via vortex action Sic Mechanical Seal with great wear resistance.

Chromium plated shaft ensure high corrosion and wear resistance Watertight cable entry system protects the motor from water and moisture in case of cable damaged and submerged.

Built-in thermal protector automatically stops the pump in event of open phase, short circuit, overloading and overheating.

Application

factory, mining, power plant, slaughterhouse, and construction site etc where the liquid most contain big size solids

Specification

- Water temperature: up to 35°C
- PH: 6.5 to 8.5
- Density of liquid: 1.3g/cm³
- Power supply: single phase 220V ± 10%,50Hz,60Hz
three phase 380V ± 10%,50Hz,60Hz
- Power: 0.45~5.5Kw
- Insulation class: B
- Protection class: IP 68
- Capacity: up to 80m³/h
- Head: up to 23m
- Maximum immersion depth:10m
- Cable: Length 8m

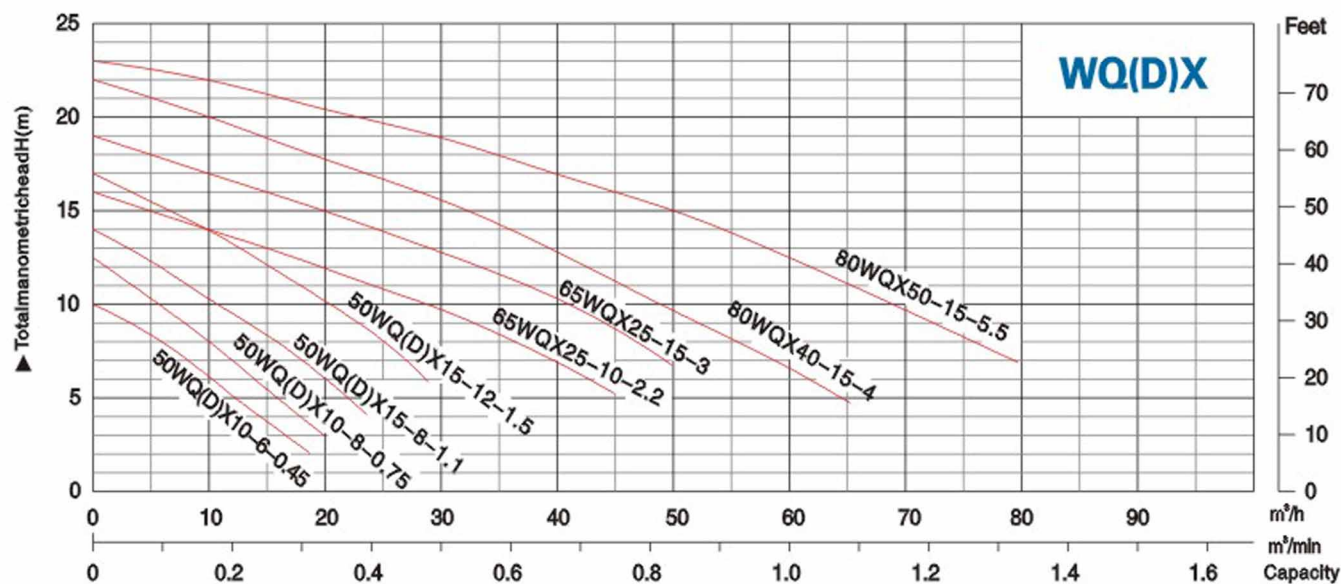
Special features on request

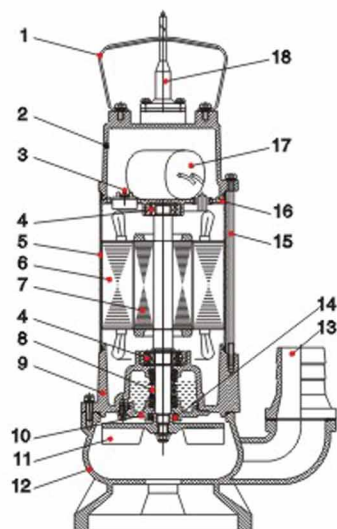
- Other voltages



0.45-1.5Kw

2.2-5.5Kw

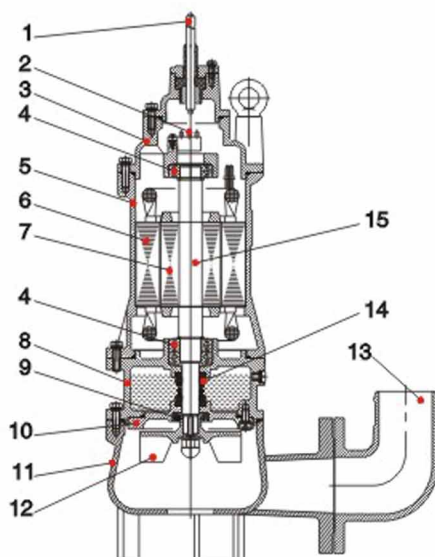




WQ(D)X0.45-1.5Kw

Materials of construction

Item No.	Part name	Material
1	Handle	Stainless steel
2	Up-cover	Cast iron
3	Motor protector	
4	Bearing	Ball Bearing
5	Motor body	Stainless steel
6	Stator	
7	Rotor	Shaft: AISI420ss
8	Bearing house	Cast iron
9	Mechanical seal	Sic-Sic/carbon-ceramics
10	Plate	Cast iron
11	Impeller	Cast iron
12	Pump body	Cast iron
13	Hose coupling	Cast iron
14	Oil seal bracket	
15	Nut	Stainless steel
16	Bearing house	Cast iron
17	Capacitor	
18	Cable	H07RN-F



WQX2.2-4Kw

Materials of construction

Item No.	Part name	Material
1	Cable	H07RN-F
2	Motor protector	
3	Up-cover	Cast iron
4	Bearing	Ball Bearing
5	Motor body	Cast iron
6	Stator	
7	Rotor	
8	Bearing house	Cast iron
9	Oil seal bracket	
10	plate	Cast iron
11	Pump body	Cast iron
12	Impeller	Cast iron
13	Hose coupling	Cast iron
14	Mechanical seal	Sic-Sic/carbon-ceramics
15	shaft	AISI420SS

Model	Outlet	Motor power		Max head	Max capacity	Impeller passage	Weight	Dimensions
	mm	KW	HP	m	m ³ /h	mm	Kg	(mm)
50WQDX10-6-0.45(F)	50	0.45	0.6	10	18	35	16.8	485×255×195
50WQDX10-8-0.75(F)	50	0.75	1	12	20	35	18.4	505×255×195
50WQDX15-8-1.1(F)	50	1.1	1.5	14	24	35	20.5	525×280×200
50WQDX15-12-1.5(F)	50	1.5	2	17	26	35	22.2	545×280×200
50WQX10-6-0.45	50	0.45	0.6	10	18	35	15.3	470×255×195
50WQX10-8-0.75	50	0.75	1	12	20	35	16.9	485×255×195
50WQX15-8-1.1	50	1.1	1.5	14	24	35	19.9	510×280×200
50WQX15-12-1.5	50	1.5	2	17	26	35	21.8	525×280×200
65WQX25-10-2.2	65	2.2	3	16	45	56	42	680×250×310
65WQX 25-15-3	65	3	4	19	50	56	49	700×250×310
80 WQX40-15-4	80	4	5.5	22	65	56	60	800×290×370
80 WQX50-15-5.5	80	5.5	7.5	23	80	56	71.5	830×320×340

●(F):Float switch