

Non-clogging double vane impeller can pump large solid cove full range of head.
Chrome plated shaft ensure high corrosion resistant and wear resistant.
Power consumption under 4Kw equipped with thermal protection.
Designed for pumping sewage, waste water, rainwater and living water containing solid grains, various fabric, sludge and solid .

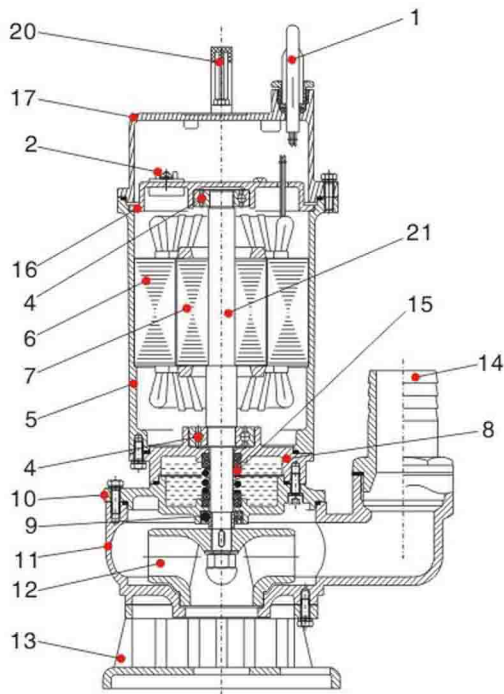


Application

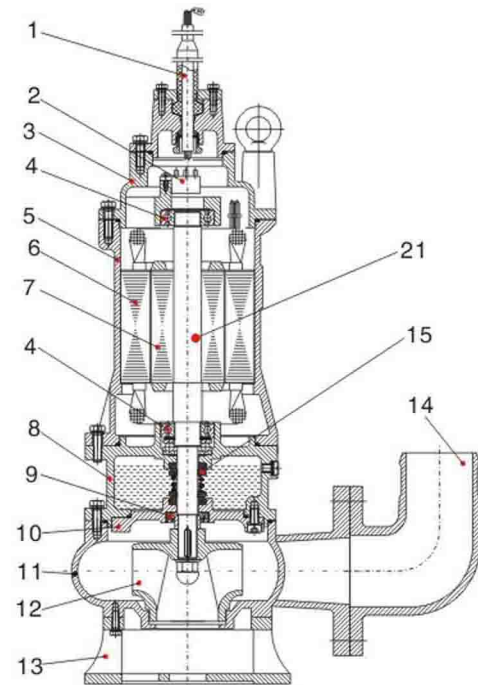
- Municipal project, Industrial building, Mining, Civil engineering

Specification

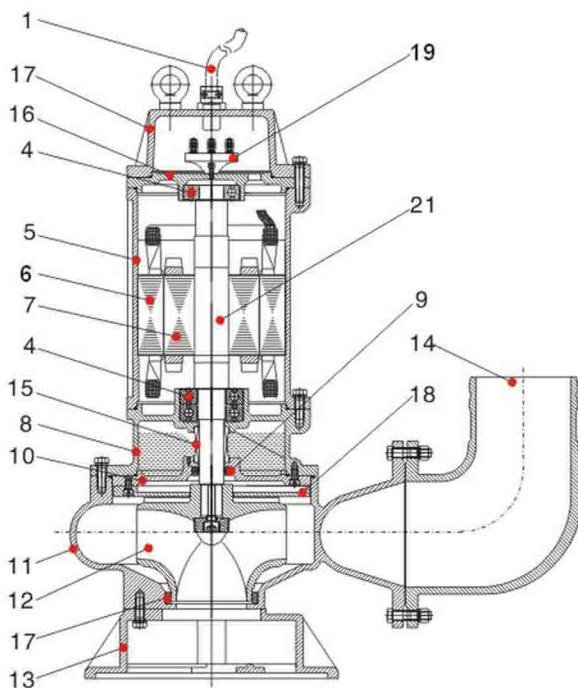
- Water temperature: up to 35°C
- PH: 6.5 to 8.5
- Density of liquid: 1.3g/cm³
- Power supply: single phase 220V ± 10%, 50Hz; three phase 380V ± 10%, 50Hz
- Power: 0.75~22Kw
- Insulation class: B
- Protection class: IP 68
- Capacity: up to 450m³/h
- Head: up to 45m
- Maximum immersion depth: 10m
- Cable: Legth 8m



WQ0.75-1.5Kw



WQ2.2-4Kw

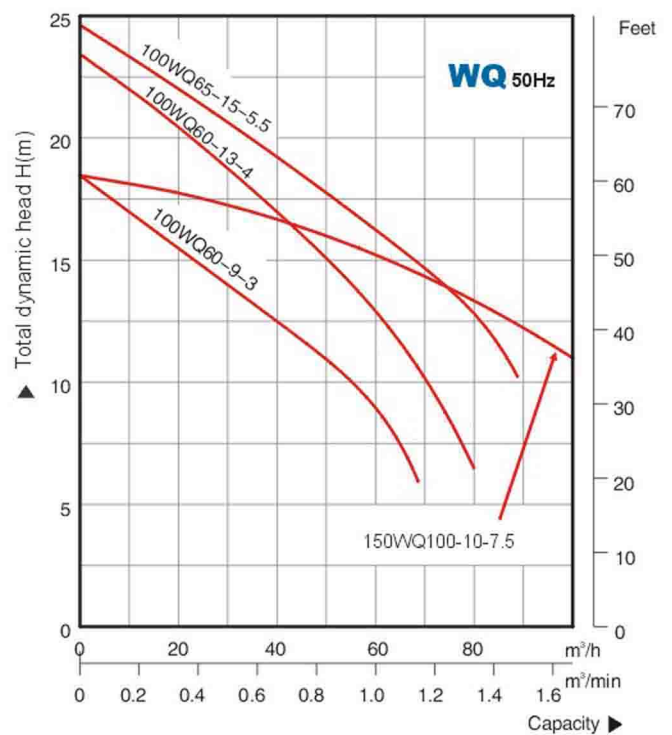
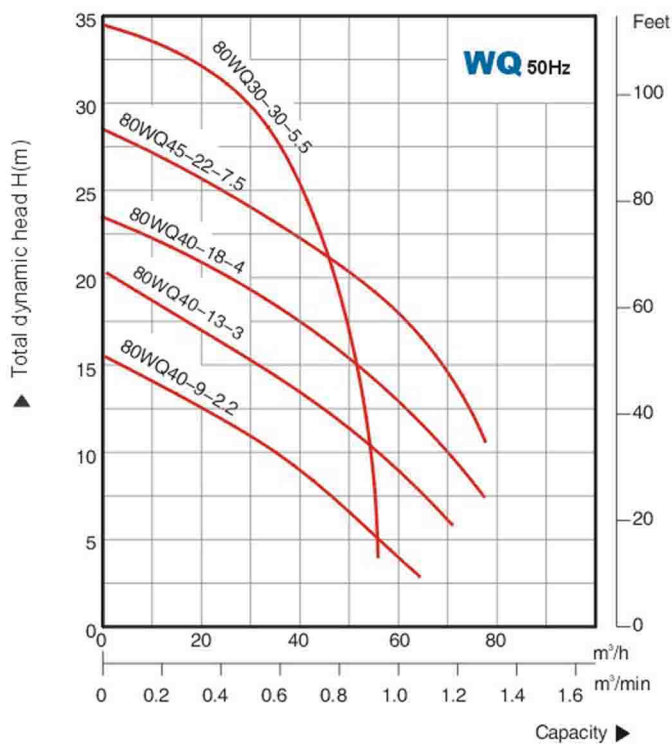
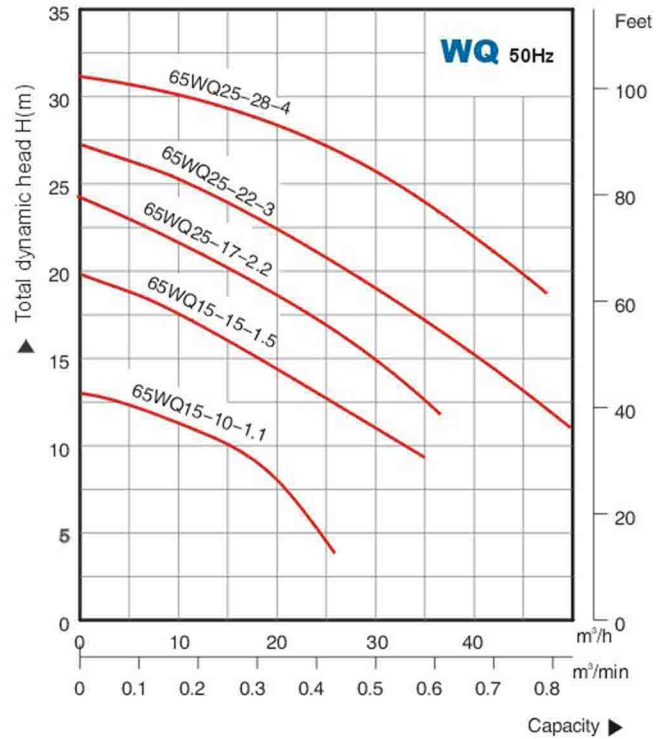
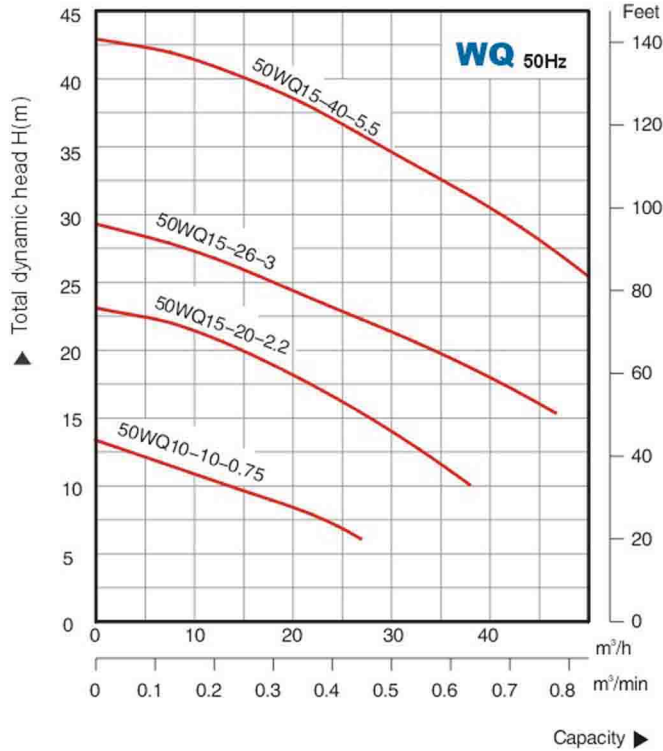


WQ5.5-22Kw

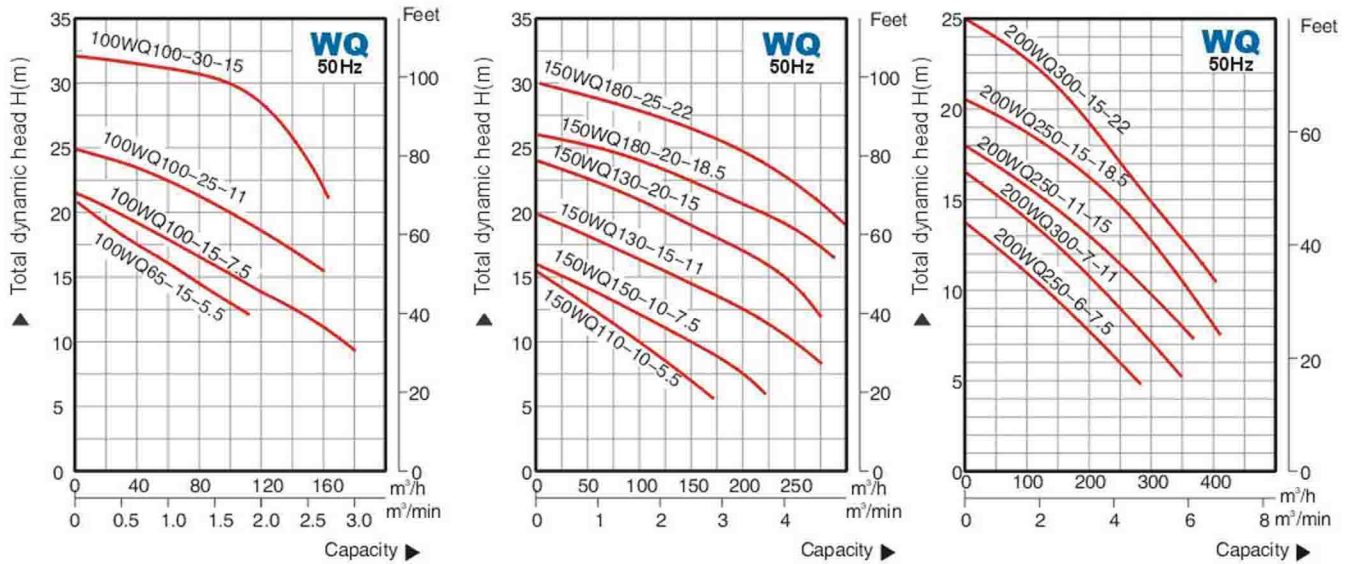
Materials of construction

ItemNo.	Part name	Material
1	Cable	
2	Motor protector	
3	Bearing house	Cast iron
4	Bearing	Ball Bearing
5	Motor body	Cast iron
6	Stator	
7	Rotor	
8	Bearing house	Cast iron
9	Oil seal bracket	
10	Plate	Cast iron
11	Pump body	Cast iron
12	Impeller	Cast iron
13	End stand	Cast iron
14	Hose coupling	Cast iron
15	Mechanical seal	Sic-sic/carbon ceramics
16	Up-cover	Cast iron
17	Plate	Cast iron
18	Bearing house	Cast iron
19	Patch board	
20	handle	Steel
21	shaft	AISI 1045

Performance curves



Performance curves



Model	Voltage	Motor power		Outlet	Rated capacity	Rated head	Speed	Impeller passage	N.W	Packing dimension
	v	Kw	HP							
50WQD10-8-0.55	220	0.55	0.75	50	10	8	2860	20	16	435x215x275
50WQ10-8-0.55	380	0.55	0.75	50	10	8	2860	20	16	435x215x275
50WQD10-10-0.75	220	0.75	1	50	10	10	2860	25	19	510x230x270
50WQ10-10-0.75	380	0.75	1	50	10	10	2860	25	19	510x230x270
65WQ15-10-1.1	380	1.1	1.5	65	15	10	2860	25	23.5	520x230x280
65WQ15-15-1.5	380	1.5	2	65	15	15	2860	25	25	520x230x280
50WQ15-20-2.2	380	2.2	3	50	15	20	2860	25	44	680x250x310
65WQ25-17-2.2	380	2.2	3	65	25	17	2860	25	44	680x250x310
80WQ40-9-2.2	380	2.2	3	80	40	9	2860	30	45	700x270x350
50WQ15-26-3	380	3	4	50	15	26	2860	25	50	700x270x340
65WQ25-22-3	380	3	4	65	25	22	2860	30	50	700x250x310
80WQ40-13-3	380	3	4	80	40	13	2860	30	52	700x280x320
100WQ60-9-3	380	3	4	100	60	9	2860	30	52	750x260x320
65WQ25-28-4	380	4	5.5	65	25	28	2860	30	62	800x290x360
80WQ40-18-4	380	4	5.5	80	40	18	2860	30	65	800x290x370
100WQ60-13-4	380	4	5.5	100	60	13	2860	30	65	840x330x380
50WQ15-40-5.5	380	5.5	7.5	50	15	40	2860	20	73	810x320x340
80WQ30-30-5.5	380	5.5	7.5	80	30	30	2860	30	75	810x320x340
100WQ65-15-5.5	380	5.5	7.5	100	65	15	2860	30	75	840x330x380
100WQ45-22-7.5	380	7.5	10	100	45	22	2860	30	123	950x430x430
150WQ100-10-7.5	380	7.5	10	150	100	10	2860	40	123	950x430x430
100WQ65-15-5.5	380	5.5	7.5	100	65	15	1450	35	126	980x410x560
150WQ110-10-5.5	380	5.5	7.5	150	110	10	1450	40	153	1020x490x590
100WQ100-15-7.5	380	7.5	10	100	100	15	1450	35	156	1020x540x710
150WQ150-10-7.5	380	7.5	10	150	150	10	1450	50	163	1020x540x710
150WQ250-6-7.5	380	7.5	10	150	250	6	1450	50	165	1020x540x710
100WQ100-25-11	380	11	15	100	100	25	1450	40	221	1120x540x710
150WQ130-15-11	380	11	15	150	130	15	1450	45	239	1120x540x710
200WQ300-7-11	380	11	15	200	300	7	1450	50	252	1120x540x710
100WQ100-30-15	380	15	20	100	100	30	1450	40	239	1170x540x710
150WQ130-20-15	380	15	20	150	130	20	1450	50	259	1170x540x710
200WQ250-11-15	380	15	20	200	250	11	1450	50	274	1170x540x710
150WQ180-20-18.5	380	18.5	25	150	180	20	1450	50	300	1250x540x750
200WQ250-15-18.5	380	18.5	25	200	250	15	1450	50	300	1250x540x750
150WQ180-25-22	380	22	30	150	180	25	1450	50	324	1280x540x750
200WQ300-15-22	380	22	30	200	300	15	1450	50	324	1280x540x750